

Product lineup



Product image



TD96(G-L)

Features

- Outer mounting diameter of $\varnothing 25$ mm
- One direction rotary damper
- The mounting flange corresponds to the bottom face

Product name	Torque [mN·m] (lb·in)	Damping direction	Cap color
TD96R1-500	50.0 ± 10 (0.44 ± 0.09)	CW	Dark gray
TD96R1-1000	100.0 ± 20 (0.89 ± 0.18)		
TD96R1-1500	150.0 ± 30 (1.33 ± 0.27)		

Product name	Torque [mN·m] (lb·in)	Damping direction	Cap color
TD96L1-500	50.0 ± 10 (0.44 ± 0.09)	CCW	Gray
TD96L1-1000	100.0 ± 20 (0.89 ± 0.18)		
TD96L1-1500	150.0 ± 30 (1.33 ± 0.27)		

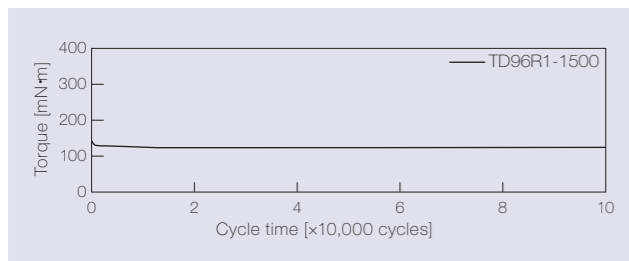
The torque of all rotary dampers is measured at a rotational speed of 20 min⁻¹.

The products without gear have "(G-L)" at the end of the product name.

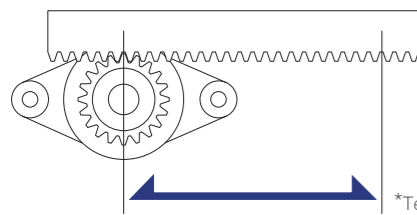
Bidirectional TD96 rotary dampers are not available.

Product specifications

Durability



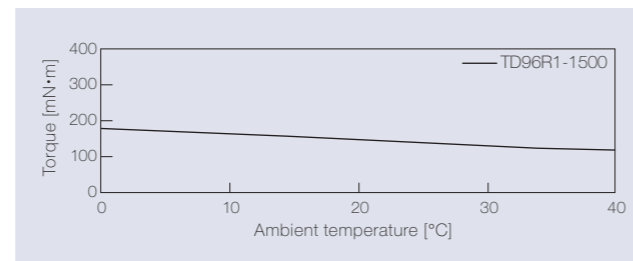
Measurement of torque at a rotation speed of 20 min⁻¹



*Test conducting image

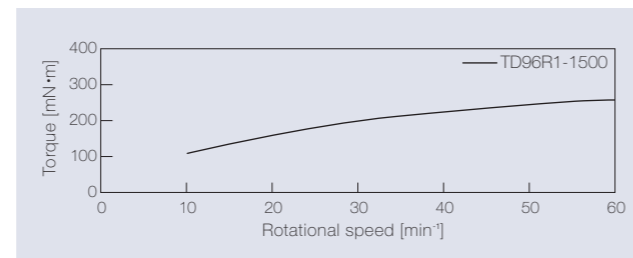
Test method	Rack-and-pinion
Travel speed	20 mm / sec
Pinion rotation speed	30 min ⁻¹
Damper rotation frequency	One rotation in the CW and CCW directions, respectively
Durability	100,000 cycles

Temperature characteristics



The torque achieved during rotation at 20 min⁻¹ in the designated ambient temperature is shown.

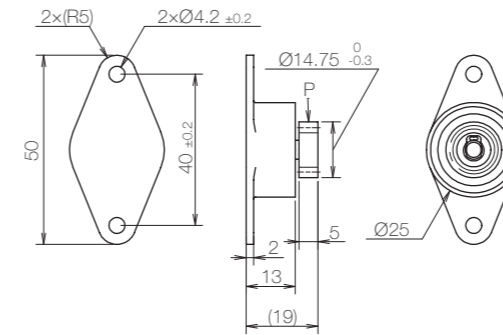
Speed characteristics



Product information

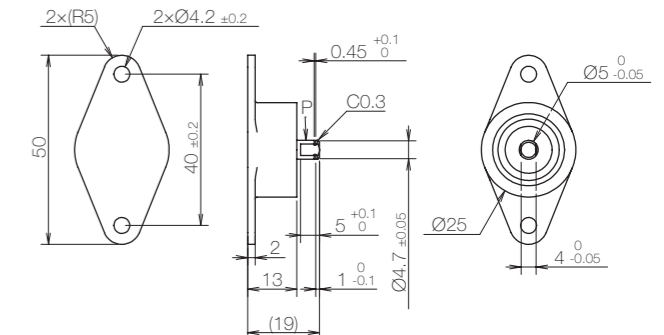
TD96

[mm]



TD96(G-L)

[mm]



* General tolerance: ±0.3

Gear specifications

Type	Standard spur gear
Tooth profile	Involute and full depth tooth
Module	1
Pressure angle	20°
Number of teeth	12
P.C.D[mm]	Ø 12
Addendum modification	+0.375
Base tangent length / Number	4.85 / 2

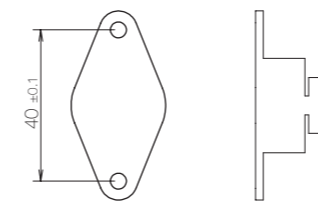
- Product weight: Approx. 13 g (With gear)
- Allowable radial load (P): 13.4 N

Main materials

Housing	Plastic (PC)
Cap	Plastic (PC)
Gear	Plastic (POM)
Shaft	Stainless steel (SUS)

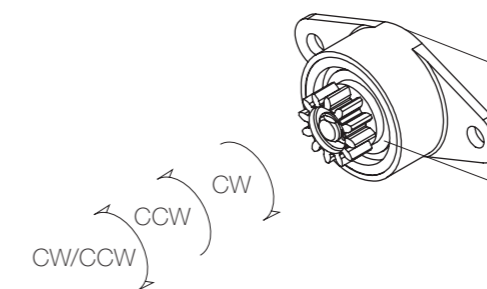
Dimensions related to mounting

[mm]



Damping directions

Damping direction of the shaft



Damping direction	Printed mark
CW	R
CCW	L

Damping direction	Cap color
CW	Dark gray
CCW	Gray