

Product lineup



Product image

Features

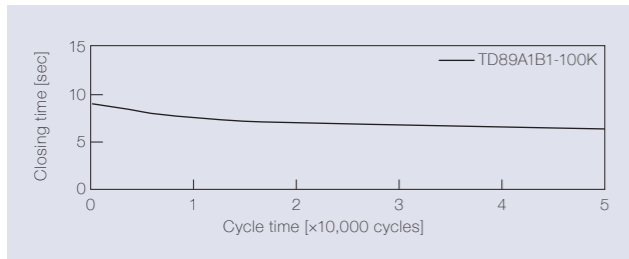
- TD89 generates a torque of 10 N·m, which is the largest among our products
- The hinge type design facilitates easy mounting
- Its exterior is made of stainless steel and painted zinc alloy
- The shaft is chromate-treated to prevent rust

Product name	Torque [N·m] (lbf·in)	Damping direction
TD89A1B1-50K	5.0 (44.25)	Unidirectional

Product name	Torque [N·m] (lbf·in)	Damping direction
TD89A1B1-100K	10.0 (88.51)	Unidirectional

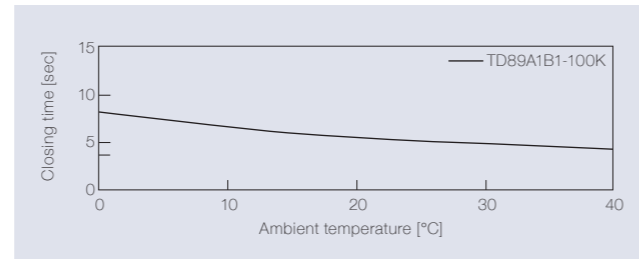
Product specifications

Durability



Torque	10.0 N·m (88.51 lbf·in)
Radial load	N/A
Angle range of closing time	70 to 0 deg.
Temperature	23 ± 2°C (73.4 ± 35.6°F)
Durability	50,000 cycles

Temperature characteristics



Measured according to the performance management testing method shown below after leaving in each designated ambient temperature for over one hour.

Performance management testing method

As this product uses two rotary dampers, the damper performance of each rotary damper is checked before assembling them into a hinge form. As the torque of partial rotation angle dampers is not consistent, the closing time measurement jig is used for the performance tests.

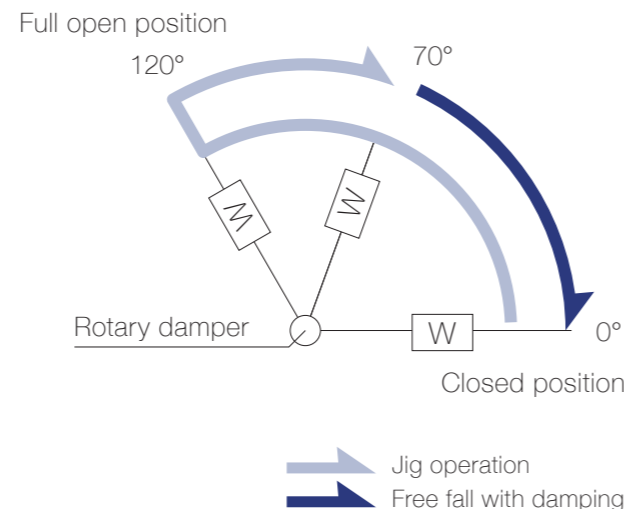
[Operation during measurement]

(Secures the housing of a rotary damper and moves its shaft.)

All rotary dampers are managed by the following closing time test.

Test mode [120° → 70° (Pause) → (Free fall with damping) → 0°]

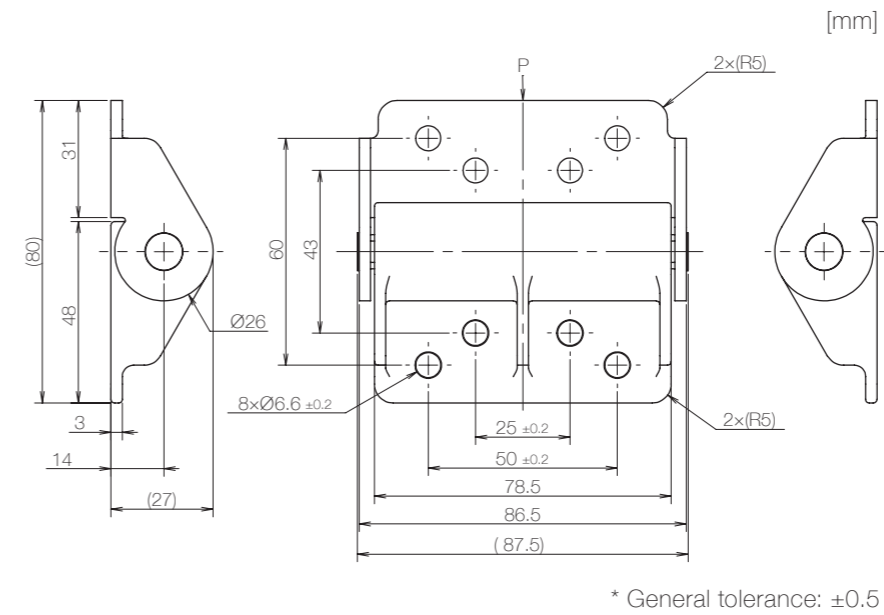
* Horizontal plane: 0°



Inspection specification before shipping

Type	Preset torque [N·m] (lbf·in)	Closing time
50K	5.0 (44.25)	3 to 12 sec
100K	10.0 (88.51)	

Product information

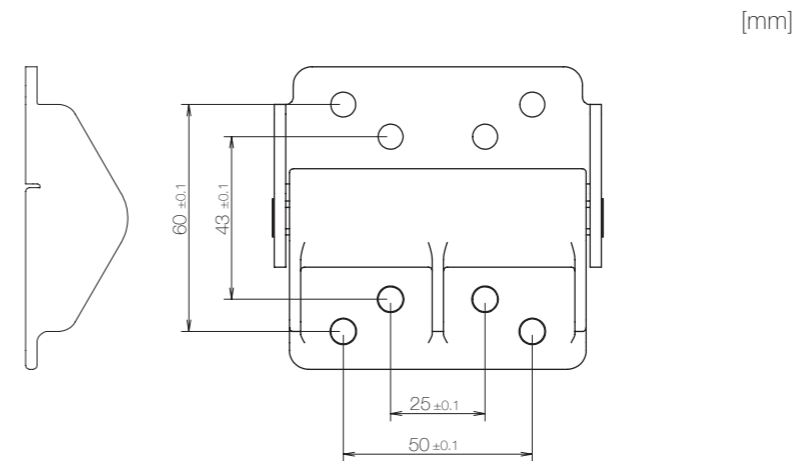


- Opening angle: 120°
- Product weight: Approx. 365 g
- Allowable radial load (P): 58.8 N

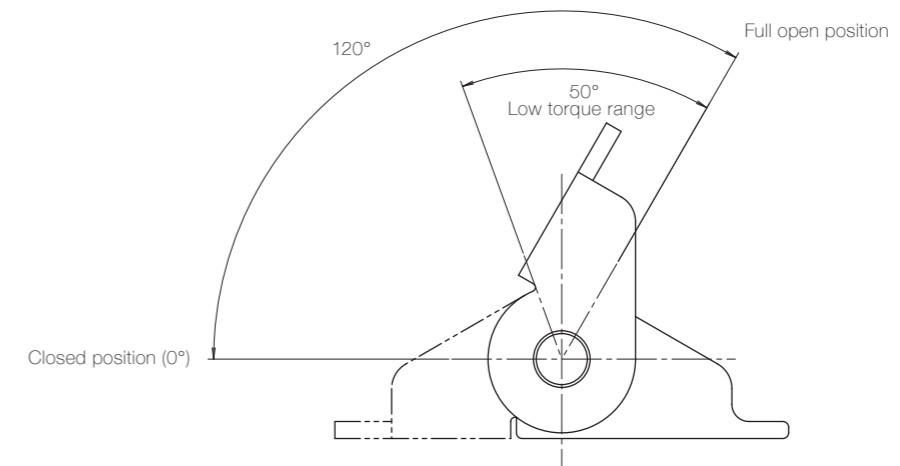
Main materials

Hinge housing	Zinc alloy (ZDC)
Hinge bracket	Stainless steel (SUS)

Dimensions related to mounting



Opening angle



* Shaft position at the time of shipping: Closed position