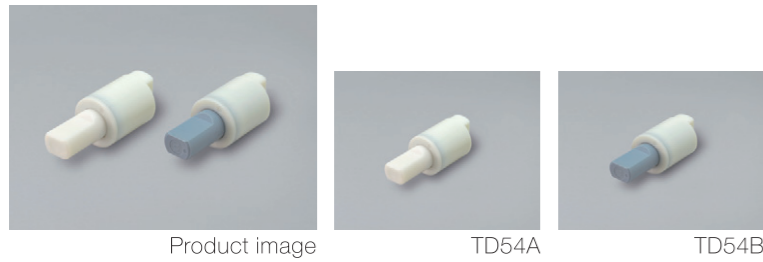


## Product lineup



### Features

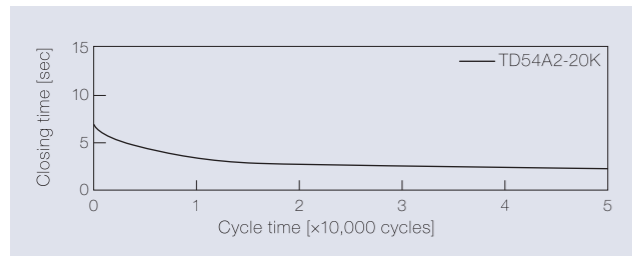
- Made with chemical-resistant PBT plastic is used
- 100% plastic version of TD133

Product name	Torque [N·m] (lb·in)	Damping direction	Shaft color
TD54A2-8K	0.78 (6.90)	CW	Natural
TD54A2-10K	0.98 (8.67)		
TD54A2-15K	1.47 (13.01)		
TD54A2-20K	1.96 (17.35)		

Product name	Torque [N·m] (lb·in)	Damping direction	Shaft color
TD54B2-8K	0.78 (6.90)	CCW	Fog blue
TD54B2-10K	0.98 (8.67)		
TD54B2-15K	1.47 (13.01)		
TD54B2-20K	1.96 (17.35)		

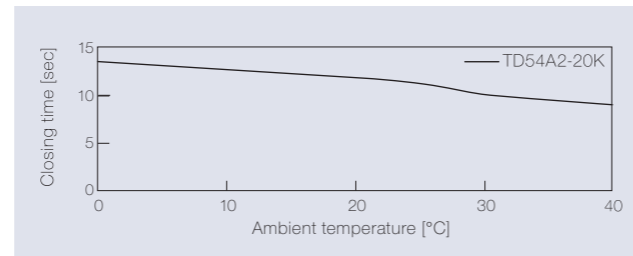
## Product specifications

### Durability



Torque	1.96 N·m (17.35 lbf·in)
Radial load	N/A
Angle range of closing time	70 to 0 deg.
Temperature	23 ± 2°C (73.4 ± 35.6°F)
Durability	50,000 cycles

### Temperature characteristics



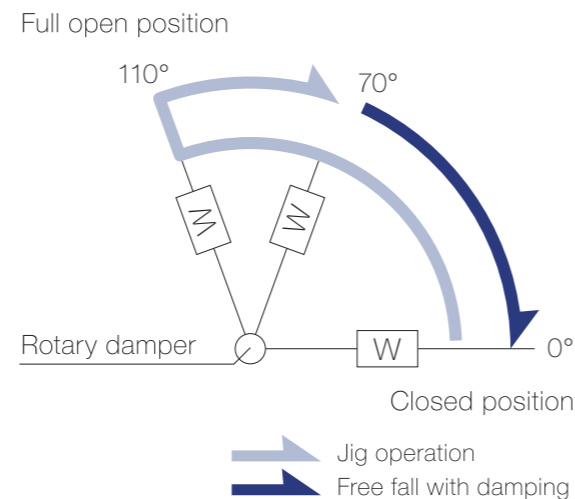
Measured according to the performance management testing method shown below after leaving in each designated ambient temperature for over one hour.

### Performance management testing method

As the torque of partial rotation angle dampers is not consistent, the closing time measurement jig is used for the performance tests.

[Operation during measurement]  
(Secures the housing of a rotary damper and moves its shaft)  
All rotary dampers are managed by the following closing time test.

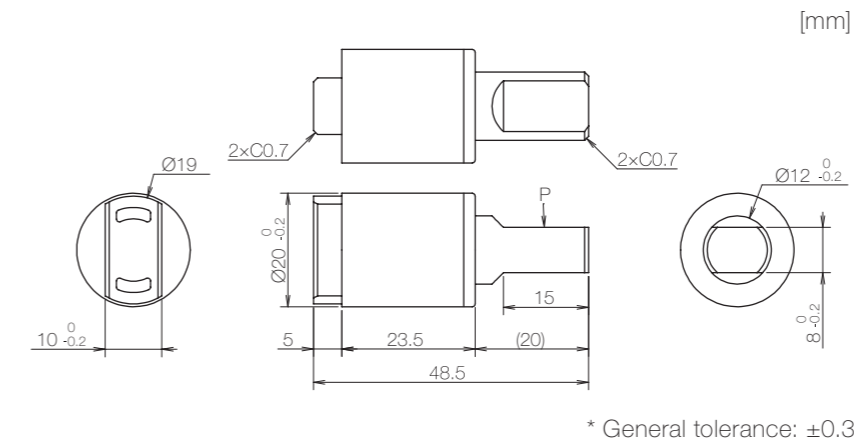
Test mode [110° → 70° (Pause) → (Free fall with damping) → 0°]  
\* Horizontal plane: 0°



### Inspection specification before shipping

Type	Preset torque [N·m] (lb·in)	Closing time
8K	0.78 (6.90)	5 to 20 sec
10K	0.98 (8.67)	
15K	1.47 (13.01)	
20K	1.96 (17.35)	

## Product information

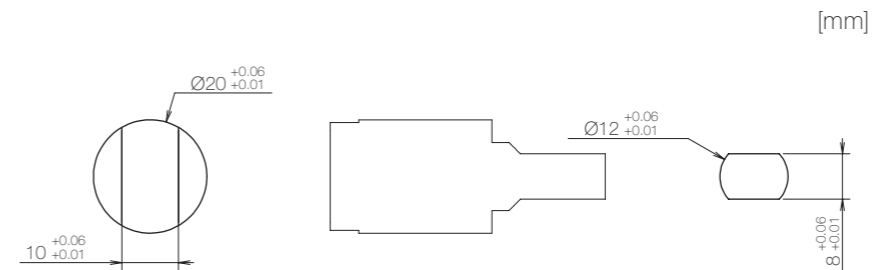


- Opening angle: 110°
- Product weight: Approx. 13 g
- Allowable radial load (P): 29.4 N

### Main materials

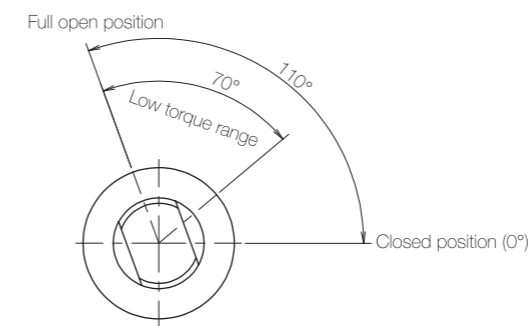
Housing	Plastic (PBT)
Cap	Plastic (PBT)
Shaft	Plastic (PBT)

## Dimensions related to mounting

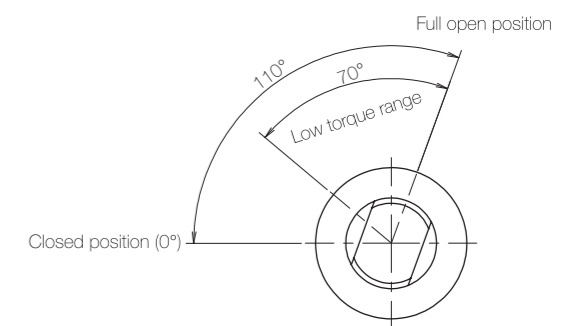


## Opening angle

### TD54A



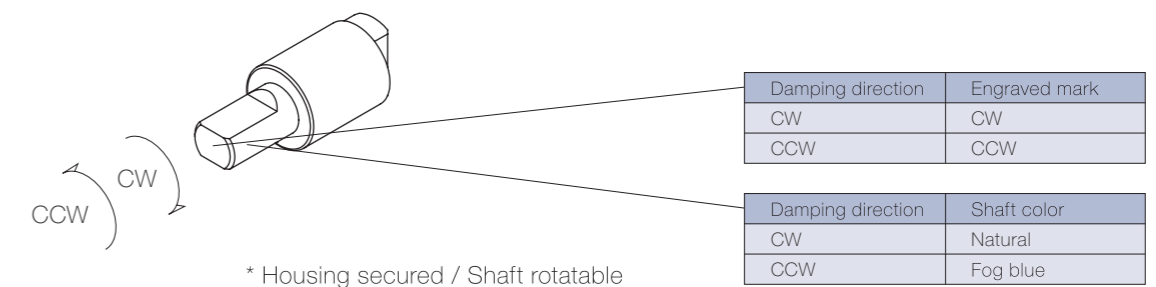
### TD54B



\* Shaft position at the time of shipping: Closed position

## Damping directions

### Rotation directions of the shaft to which torque is applied



\* Housing secured / Shaft rotatable