

Product lineup



Product image



TD38A



TD38B

Features

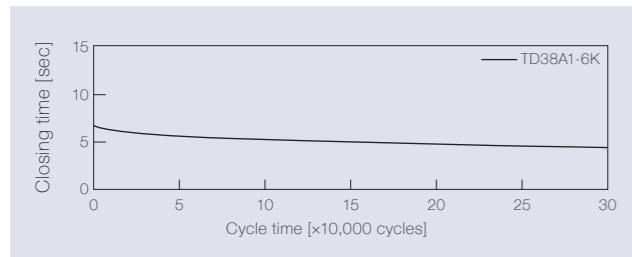
- Longselling vertical use type rotary dampers
- Allowable opening angle of 180°
- Durable for 300,000 cycles
- Wide temperature range for operation (-15°C to 60°C)

Product name	Torque [N·m] (lbf·in)	Damping direction	Housing color	Cap color
TD38A1-1.5K(R)	0.15 (1.33)	CW	Brown	Black
TD38A1-3K(R)	0.29 (2.57)		Black	Black
TD38A1-6K(R)	0.59 (5.22)		Purple	Black

Product name	Torque [N·m] (lbf·in)	Damping direction	Housing color	Cap color
TD38B1-1.5K(L)	0.15 (1.33)	CCW	Brown	Purple
TD38B1-3K(L)	0.29 (2.57)		Black	Purple
TD38B1-6K(L)	0.59 (5.22)		Purple	Purple

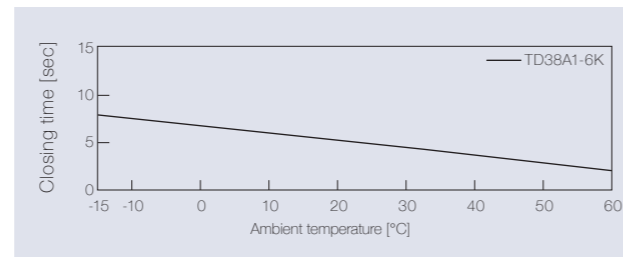
Product specifications

Durability



Torque	0.59 N·m (5.22 lbf·in)
Radial load	N/A
Angle range of closing time	160 to 10 deg.
Temperature	23 ± 2°C (73.4 ± 35.6°F)
Durability	300,000 cycles

Temperature characteristics



Measured according to the performance management testing method shown below after leaving in each designated ambient temperature for over one hour.

Performance management testing method

As the torque of partial rotation angle dampers is not consistent the closing time measurement jig is used for the performance tests.

[Operation during measurement]

(Secures the housing of a rotary damper and moves its shaft.)

All rotary dampers are managed by the following closing time test.

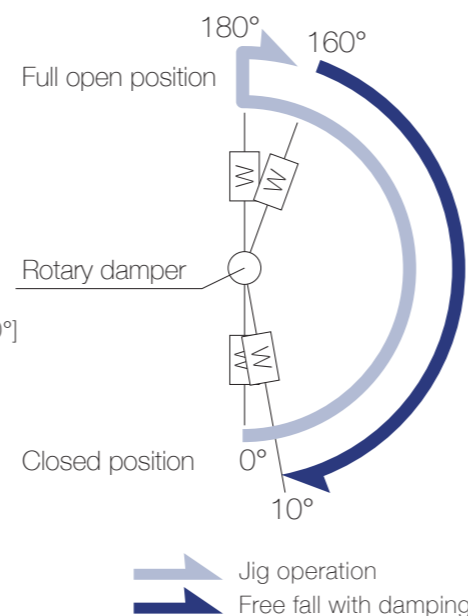
Durability test mode [160° → (Free fall with damping) → 0°]

Shipping inspection mode [180° → 160° (Pause) → (Free fall with damping) → 10°]

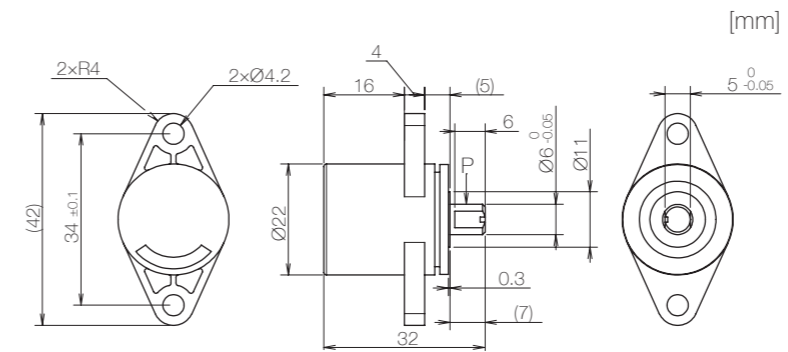
* Horizontal plane: 90°

Inspection specification before shipping

Type	Preset torque [N·m] (lbf·in)	Closing time
1.5K	0.15 (1.33)	2 to 10 sec
3K	0.29 (2.57)	
6K	0.59 (5.22)	



Product information



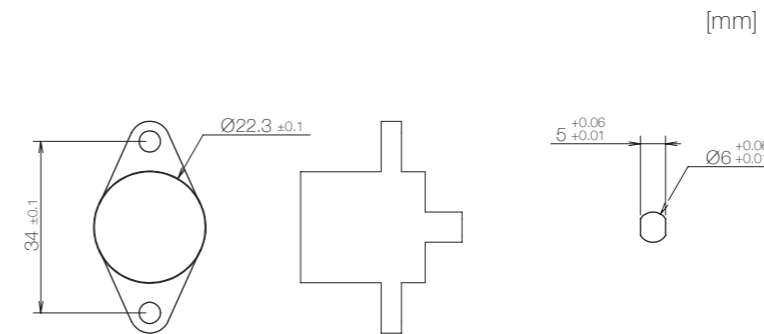
* General tolerance: ±0.3

- Opening angle: 180°
- Product weight: Approx. 20 g
- Allowable radial load (P): 29.4 N

Main materials

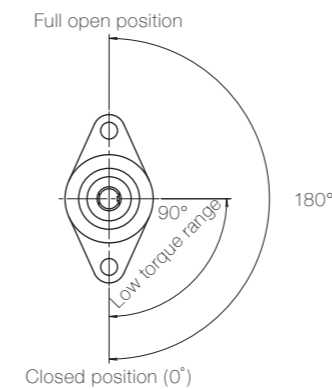
Housing	Plastic (POM)
Cap	Plastic (POM)
Shaft	Zinc alloy (ZDC)

Dimensions related to mounting

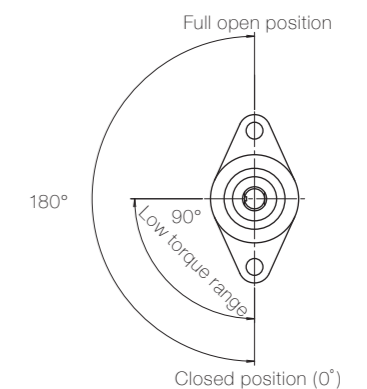


Opening angle

TD38A



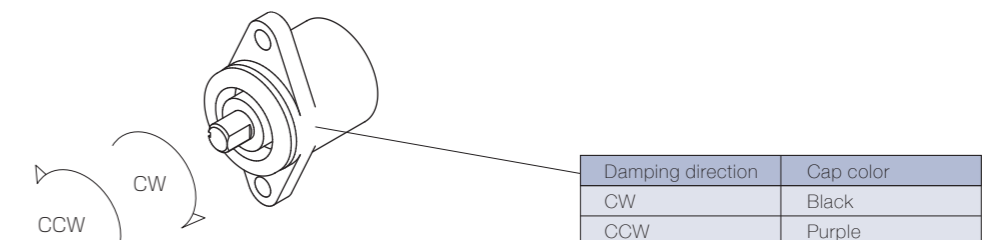
TD38B



* Shaft position at the time of shipping: Closed position

Damping directions

Rotation directions of the shaft to which torque is applied



* Housing secured / Shaft rotatable

Damping direction	Cap color
CW	Black
CCW	Purple