

Product lineup



Product image

Features

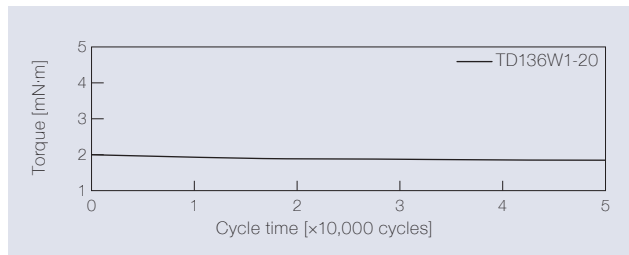
- Outer mounting diameter of $\varnothing 10$ mm (Ultra-small diameter and thin type)
- Bidirectional rotary damper
- The mounting flange corresponds to the bottom face
- Only the housing shape is different from that of the TD130

Product name	Torque [mN·m] (lbf·in)	Damping direction
TD136W1-20	2.0 ± 0.7 (0.02 ± 0.01)	Bidirectional

The torque of all rotary dampers is measured at a rotational speed of 20 min⁻¹.
One direction rotary dampers are not available.

Product specifications

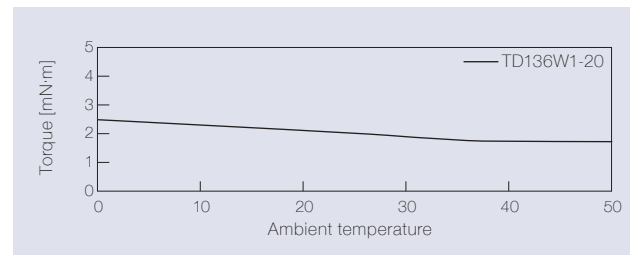
Durability



Measurement of torque at a rotation speed of 20 min⁻¹

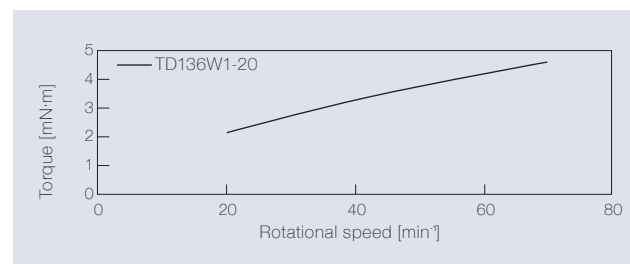
Test method	CW & CCW rotation test
Operation mode	Continuous twist rotation at 360°
Test speed	10 cycles / min
Radial load	N/A
Thrust load	N/A
Damper rotation frequency	One rotation in the CW and CCW directions, respectively
Durability	50,000 cycles

Temperature characteristics



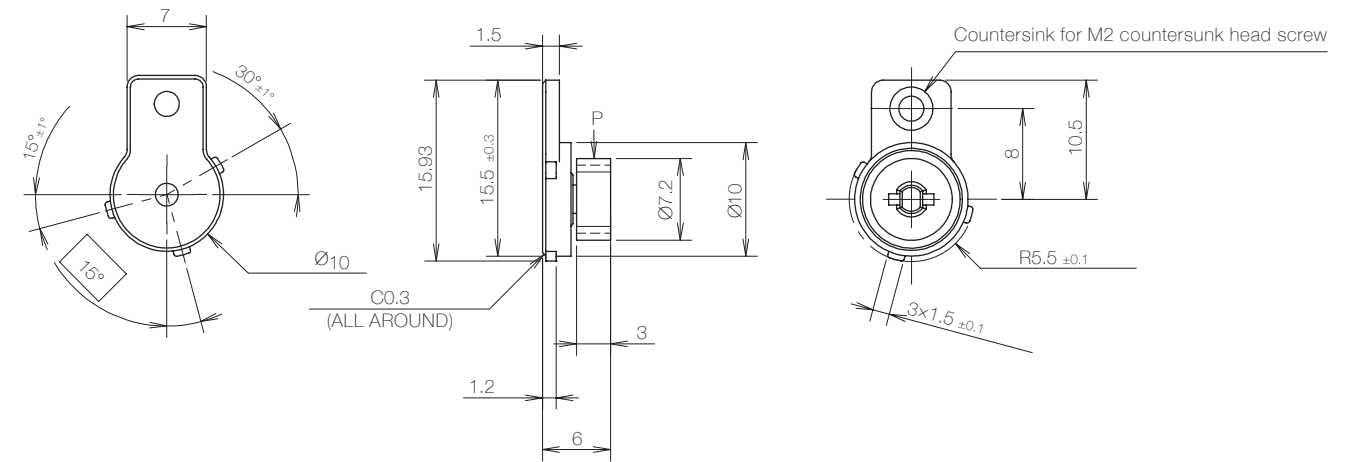
The torque achieved during rotation at 20 min⁻¹ in the designated ambient temperature is shown.

Speed characteristics



Product information

[mm]



* General tolerance: ± 0.2

Gear specifications

Type	Standard spur gear
Tooth profile	Involute and full depth tooth
Module	0.6
Pressure angle	20°
Number of teeth	10
P.C.D.[mm]	$\varnothing 6$
Addendum modification	-
Base tangent length/Number	2.74 / 2

- Product weight: Approx. 0.4 g
- Allowable radial load (P): 2.0 N

Main materials

Housing	Plastic (PC)
Cap	Plastic (PC)
Gear	Plastic (POM)
Shaft	Plastic (POM)

Dimensions related to mounting

[mm]

