

Product lineup



Product image

Features

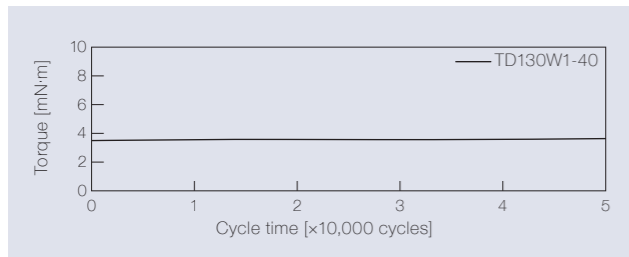
- Outer mounting diameter of $\varnothing 10$ mm (Ultra-small diameter and thin type)
- Bidirectional rotary damper
- The mounting flange corresponds to the bottom face
- Only the housing shape is different from that of the TD136

Product name	Torque [mN·m] (lbf·in)	Damping direction
TD130W1-40	4.0 ± 1.0 (0.04 ± 0.01)	Bidirectional

The torque of all rotary dampers is measured at a rotational speed of 20 min^{-1} .
One direction rotary dampers are not available.

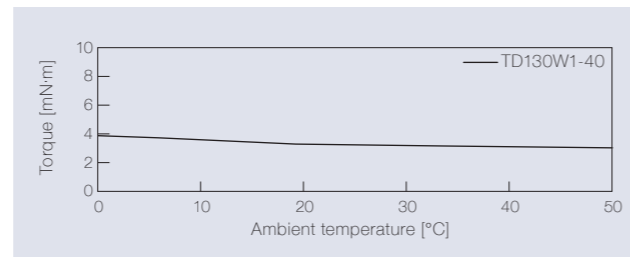
Product specifications

Durability



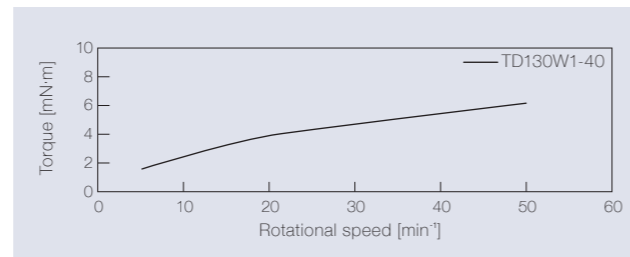
Measurement of torque at a rotation speed of 20 min^{-1}

Temperature characteristics



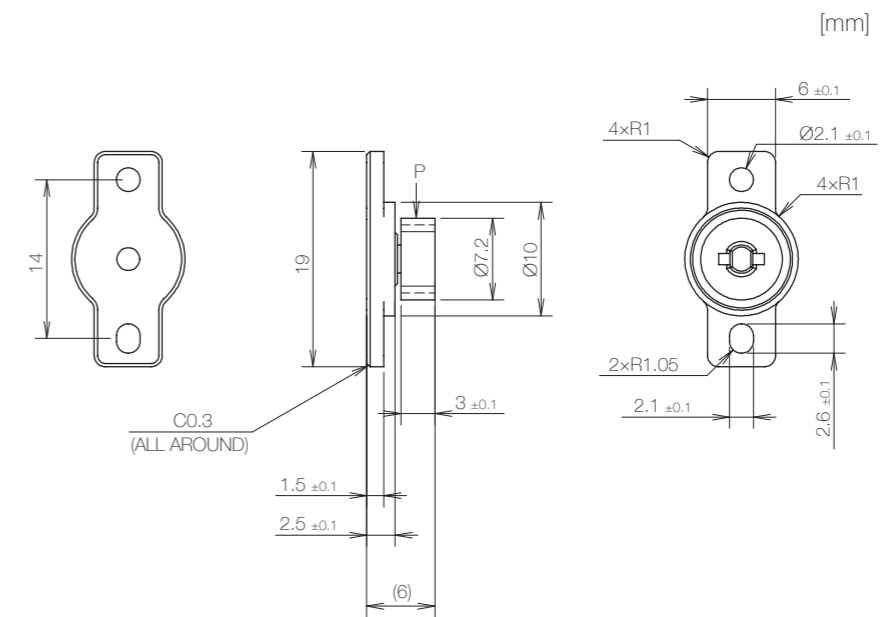
The torque achieved during rotation at 20 min^{-1} in the designated ambient temperature is shown.

Speed characteristics



Test method	CW & CCW rotation test
Operation mode	Continuous twist rotation at 360°
Test speed	10 cycles / min
Radial load	N/A
Thrust load	N/A
Damper rotation frequency	One rotation in the CW and CCW directions, respectively
Durability	50,000 cycles

Product information



Gear specifications

Type	Standard spur gear
Tooth profile	Involute and full depth tooth
Module	0.6
Pressure angle	20°
Number of teeth	10
P.C.D.[mm]	$\varnothing 6$
Addendum modification	-
Base tangent length/Number	2.74 / 2

- * General tolerance: ± 0.2
- Product weight: Approx. 0.4 g
 - Allowable radial load (P): 2.0 N

Main materials

Housing	Plastic (PC)
Cap	Plastic (PC)
Gear	Plastic (POM)
Shaft	Plastic (POM)

Dimensions related to mounting

